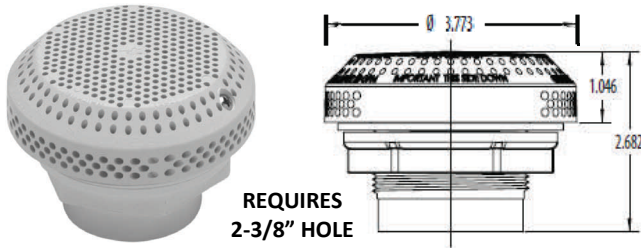


SUCTIONS - WATERWAY

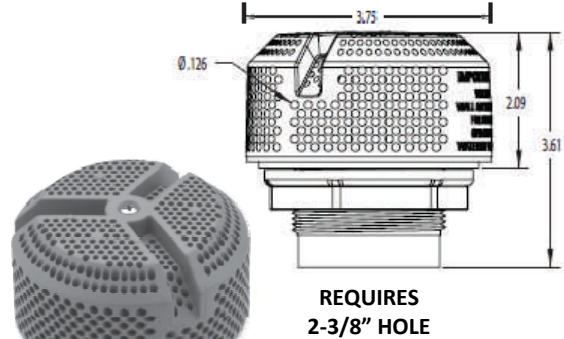
HI-FLO SPC-2 VP 3.5" 128GPM

Part No.	Description	LIST \$
4-65-WW640-3250VP	White, 1-1/2"s	18.30
4-65-WW640-3257VP	Grey, 1-1/2"s	18.30
4-65-WW640-3280VP	White, 1-1/2"s 90°EII	22.51
4-65-WW640-3287VP	Grey, 1-1/2"s 90°EII	22.51
4-65-WW642-3250V	Cover - White	10.50
4-65-WW642-3257V	Cover - Grey	10.50



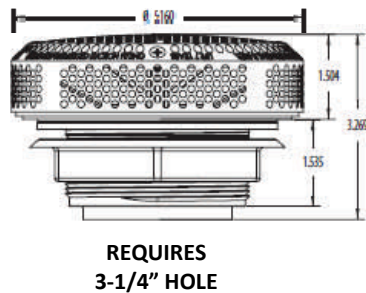
ULTRA HI-FLO 3.5" 160GPM

Part No.	Description	LIST \$
4-65-WW640-3490VP	White	18.30
4-65-WW640-3497VP	Grey	18.30



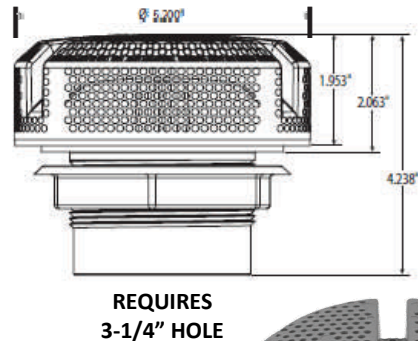
SUPER HI-FLO SPC-3 VP 5.0" 251GPM

Part No.	Description	LIST \$
4-65-WW640-3780V	White, 2.0"s	25.41
4-65-WW640-3787V	Grey, 2.0"s	25.41
4-65-WW640-3790V	White, 2-1/2"s	25.41
4-65-WW640-3797V	Grey, 2-1/2"s	25.41
4-65-WW640-3570SV	Stainless Steel, 2.0"	37.30
4-65-WW640-3580SV	Stainless Steel, 2-1/2"	37.30
4-65-WW642-3630V	Cover - White	10.50
4-65-WW642-3631V	Cover - Black	10.50
4-65-WW642-3637V	Cover - Grey	10.50



ULTRA FLO 5.0" 264GPM

Part No.	Description	LIST \$
4-65-WW640-3940VP	White, 2.0"s	25.70
4-65-WW640-3947VP	Grey, 2.0"s	25.70
4-65-WW640-3930VP	White, 2.5"s	25.70
4-65-WW640-3937VP	Grey, 2.5"s	25.70



* For more information: U.S. Consumer Product Safety Commission
 Publication# 363-009081 - "Guidelines for Addressing Entrapment Hazards with Pools and Spas"
<http://www.cpsc.gov/cpscpub/pubs/363.pdf>

SUCTION FITTINGS - WATERWAY

NON VACUUM BREAK FITTINGS

<u>Part No.</u>	<u>Description</u>	<u>LIST \$</u>
2-1/2" SUPER HI-FLO SPC-3 VP and 2-1/2" ULTRA FLO		
4-65-WW642-3680	2-1/2" Sx2.0" S Straight	6.67
4-65-WW642-3700	2-1/2" Sx2.0" S 90° Ell	6.67
4-65-WW642-3610	2-1/2" S 90° Ell	7.83
4-65-WW642-3730	2.0" S 90° Threaded Ell	6.67
4-65-WW642-3750	2.0" S Threaded Straight	6.67



642-3730



642-3750



642-3680



642-3700



642-3610

VACUUM BREAK FITTINGS

<u>Part No.</u>	<u>Description</u>	<u>LIST \$</u>
HI-FLO SPC-2 VP		
4-65-WW411-4000VAC	1-1/2" Sx1-1/2" Spg 90° Ell	5.10
4-65-WW642-4120VAC	1-1/2" Sx1-1/2" S 90° Ell	5.10
4-65-WW642-4140VAC	2.0" Sx2.0" S Suction Tee	9.37



413-2330V



642-3680V

<u>Part No.</u>	<u>Description</u>	<u>LIST \$</u>
2-1/2" SUPER HI-FLO SPC-3 VP		
4-65-WW413-2330V	2.0" Sx2.0" S Suction Tee	6.85
4-65-WW642-3610V	2-1/2" S 90° Ell	5.88
4-65-WW642-3700V	2.0" S 90° Ell	5.68
4-65-WW642-3680V	2.0" S Straight	5.68



411-4000VAC



642-4120VAC



640-3610V



642-3700V

SUCTION VENT

<u>Part No.</u>	<u>Description</u>	<u>LIST \$</u>
4-65-WW640-3750V	Vacuum break, 3/4" SB	10.10

*** For Use with Vacuum Break Fittings ***



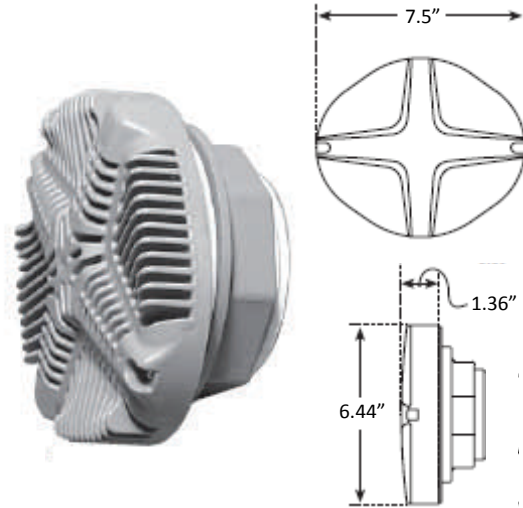
640-3750V

FIELD REPLACEMENT SUCTION - WATERWAY

THIS SUCTION ASSEMBLY MAY ONLY BE USED TO REPLACE AN IDENTICAL ASSEMBLY IN AN EXISTING SPA
(NOT FOR NEW CONSTRUCTION)

EXTRA HI-FLO 250GPM

<u>Part No.</u>	<u>Description</u>	<u>LIST \$</u>
REQUIRES 3-1/2" HOLE		
4-65-WW640-4620	White, Straight, 2.5"s	46.65
4-65-WW640-4627	Grey, Straight, 2.5"s	46.65
REQUIRES 4.0" HOLE		
4-65-WW640-4630	White, Straight, 3.0"s	48.25
4-65-WW640-4637	Grey, Straight, 3.0"s	48.25



SUCTION FITTING IS NOT VGB 2008 COMPLIANT
*** LIMITED QUANTITIES AVAILABLE ***

FLOOR DRAIN - WATERWAY

LO-PRO

<u>Part No.</u>	<u>Description</u>	<u>LIST \$</u>
4-65-WW640-4250	White, 1-1/2" Slip	19.50
4-65-WW640-4340	Floor Drain - 3/4"s, White	24.12
4-65-WW640-4341	Floor Drain - 3/4"s, Black	24.12
4-65-WW640-4347	Floor Drain - 3/4"s, Grey	24.12
4-65-WW642-4250	Cover - White	9.85
4-65-WW642-4257	Cover - Grey	9.85
4-65-WW642-4258	Cover - Clear	n/a



REQUIRES 2-3/8" HOLE

