

## VALVES - DIVERTER & ON/OFF

### DIVERTER VALVE - 2.0" SCALLOPED

- 4-60-WW600-3050 3-Way White
- 4-60-WW600-3051 3-Way Black
- 4-60-WW600-3057 3-Way Grey

LIST \$  
40.25



### HANDLES - for 2.0" Scalloped DV

- 4-60-WW602-3520 White
- 4-60-WW602-3521 Black
- 4-60-WW602-3527 Grey

LIST \$  
11.35



### DIVERTER VALVE - 2.0" 5-SCALLOP TEXTURED

- 4-60-WW600-3040 3-Way White
- 4-60-WW600-3041 3-Way Black
- 4-60-WW600-3047 3-Way Grey

LIST \$  
40.25



### HANDLES - for 2.0" 5-Scallop Textured DV

- 4-60-WW602-3570 White
- 4-60-WW602-3571 Black
- 4-60-WW602-3577 Grey

LIST \$  
11.35



### DIVERTER VALVE - 2.0" NOTCHED

- 4-60-WW600-3060 3-Way White
- 4-60-WW600-3061 3-Way Black
- 4-60-WW600-3067 3-Way Grey

LIST \$  
40.25



### HANDLES - for 2.0" Notched DV

- 4-60-WW602-3540 White
- 4-60-WW602-3541 Black
- 4-60-WW602-3547 Grey

LIST \$  
11.35



### ON/OFF VALVE - 1.0"

- |                 |                    |       | <u>LIST \$</u> |
|-----------------|--------------------|-------|----------------|
| 4-60-WW600-4360 | 1-Port, Vertical   | White | 28.15          |
| 4-60-WW600-4361 | 1-Port, Vertical   | Black | 28.15          |
| 4-60-WW600-4367 | 1-Port, Vertical   | Grey  | 28.15          |
| 4-60-WW600-4370 | 2-Port, Vertical   | White | 29.10          |
| 4-60-WW600-4371 | 2-Port, Vertical   | Black | 29.10          |
| 4-60-WW600-4377 | 2-Port, Vertical   | Grey  | 29.10          |
| 4-60-WW600-4380 | 2-port, Horizontal | White | 26.90          |
| 4-60-WW600-4381 | 2-port, Horizontal | Black | 26.90          |
| 4-60-WW600-4387 | 2-port, Horizontal | Grey  | 26.90          |



600-4367



600-4377

### DIVERTER VALVE - 1.0"

- 4-60-WW600-4231 2-Port Horizontal, Black, 5-Scallop
- 4-60-WW600-4341 2-Port Vertical, Black, Notched

LIST \$  
27.98



600-4341

### HANDLES - for 1.0" DV

#### For Notched Valves

- 4-60-WW602-4330 White
- 4-60-WW602-4331 Black
- 4-60-WW602-4337 Grey

#### For 5-Scallop Textured Valves\*

- 4-60-WW602-4421 Black
  - 4-60-WW602-4427 Grey
- (\*white is n/a)

LIST \$  
8.98



ELM SALES & EQUIPMENT INC.

p: 905.670.5387 f: 905.670.5389 t: 888.502.6960

www.elmsalesandequipment.com



## VALVES - KNIFE/GATE

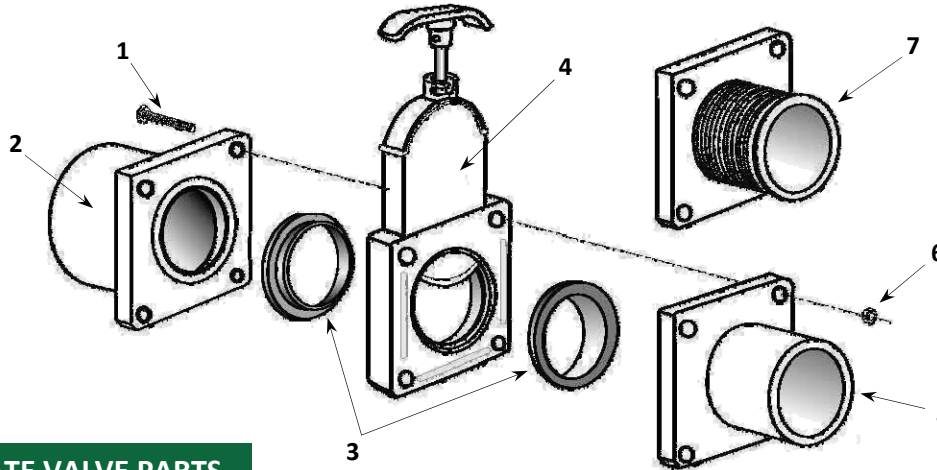
### KNIFE / GATE VALVE - PRAHER

Description	Part No.	List \$
<b>MULTI-PIECE</b>		
1.5" SxS	4-60-PR150-GATE	16.03
1.5" SxSPG	4-60-PR150-SLSP	16.03
1.5" SxMPT	4-60-PR150-SLMT	16.45
1.5" FPTxMPT	4-60-PR150-GMFT	16.45
2.0" SxS	4-60-PR200-GATE	21.35
2.0" SxSPG	4-60-PR200-SLSP	21.35
2.5" SxS	4-60-PR250-GATE	33.85
3.0" SxS	4-60-PR300-GATE	78.25



### KNIFE / GATE VALVE - MAGIC

Description	Part No.	List \$
<b>MULTI-PIECE</b>		
1.5" SxS	4-60-MA0101-15	16.50
2.0" SxS	4-60-MA0101-20	21.35
<b>UNI-BODY</b>		
1.5" SxS	4-60-MA0401-15	14.95
1.5" SxSPG	4-60-MA0412-15	16.52
2.0" SxS	4-60-MA0401-20	18.69
2.0" SxSPG	4-60-MA0412-20	25.96



### KNIFE / GATE VALVE PARTS

ITEM	Description	Part No.	List \$	Part No.	List \$	Part No.	List \$
<b>PRAHER</b>							
<b>1-1/2" VALVE</b>							
1	Bolt Set (4)	4-60-PR150-G1	3.57	4-60-PR200-G1	3.57	4-60-PR250-G1	7.40
2	Socket End	4-60-PR150-G2	2.65	4-60-PR200-G2	3.20	4-60-PR250-G2	6.75
3	Gasket Set (2)	4-60-PR150-G3	3.93	4-60-PR200-G3	4.62	4-60-PR250-G3	9.14
4	Body Assembly	4-60-PR150-BA	14.30	4-60-PR200-BA	14.30	4-60-PR250-G4	29.33
5	Spigot End	4-60-PR150-G5	2.75	4-60-PR200-G5	3.10	4-60-PR250-G5	6.55
6	Locknut Set (4)	4-60-PR150-G6	0.74	4-60-PR150-G6	0.74	4-60-PR250-G6	0.74
7	MPT End	4-60-PR150-G8	2.75	n/a	---	n/a	---
<b>MAGIC</b>							
1	Bolt Set (4)	4-60-PR150-G1	3.57	4-60-PR200-G1	3.57	n/a	---
2	Socket End	4-60-MA0030101015	3.99	4-60-MA0030101020	4.30	n/a	---
3	Gasket Set (2)	4-60-MA0080301015	3.93	4-60-MA0080301020	4.62	n/a	---
4	Body Assembly	4-60-MA0603-15	12.83	4-60-MA0603-20	13.87	n/a	---
5	Spigot End	4-60-MA0040101015	3.99	4-60-MA0040101020	4.30	n/a	---
6	Locknut Set (4)	4-60-PR150-G6	0.78	4-60-PR150-G6	0.78	n/a	---

## VALVES - PRAHER BALL VALVES

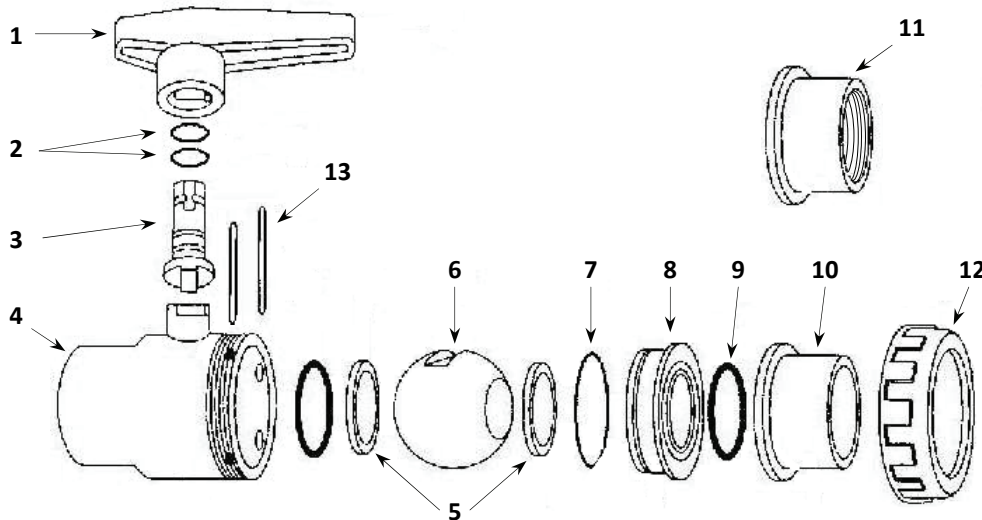
### BALL VALVES - PRAHER

Description	Part No.	List \$
3/4" SxS	4-60-PR075-000W	14.75
1.0" SxS	4-60-PR100-000W	17.65
1.5" SxS	4-60-PR150-010	17.45
1.5" SxFPT	4-60-PR150-011	28.35
1.5" MPTxFPT	4-60-PR150-015	28.35
1.5" SxMPT	4-60-PR150-016	27.25
2.0" SxS	4-60-PR200-010	29.01



### BALL VALVE PARTS

ITEM	Description	Part No.	List \$	Part No.	List \$
<b>1-1/2" VALVE</b>			<b>2.0" VALVE</b>		
1	Handle	4-60-PRSU-150-1	2.05	4-60-PRSU-200-1	4.10
2	Stem O-rings	4-60-PRN-113	0.53	4-60-PRN-115	0.59
3	Stem	4-60-PRSU-150-3	3.16	4-60-PRSU-200-3	4.51
4	Body - Socket	4-60-PRSU-150-4	6.20	4-60-PRSU-200-4	8.75
5	HDPE Ball Seat	4-60-PRSU-150-5	1.15	4-60-PRSU-200-5	1.57
6	Ball	4-60-PRSU-150-6	3.90	4-60-PRSU-200-6	5.10
7	O-ring	4-60-PRN-142	1.06	4-60-PRN-232	2.16
8	Retainer Ring	4-60-PRSU-150-8	4.09	4-60-PRSU-200-8	5.26
9	O-ring	4-60-PRN-328	1.48	4-60-PRN-331	2.35
10	Socket End	4-60-PRSU-150-10	4.01	4-60-PRSU-200-10	4.93
11	Threaded End - FPT	4-60-PRSU-150-11	7.36	4-60-PRSU-200-11	9.46
12	Nut	4-60-PRSU-150-12	4.73	4-60-PRSU-200-12	6.30
13	Pin	4-60-PRSU-150-14	0.42	4-60-PRSU-200-14	0.50



ELM SALES & EQUIPMENT INC.

p: 905.670.5387 f: 905.670.5389 t: 888.502.6960

www.elmsalesandequipment.com



## VALVES - CHECK/FLAPPER/FILL/DRAIN

### CHECK VALVES - AIR

		<u>LIST \$</u>
4-60-WW600-8140	1/4 lb; 1-1/2"s	18.85
4-60-WW600-8160	1/4 lb; 2"spg	19.35



### HOSE BIBBS

		<u>LIST \$</u>
4-60-MA0203-05	1/2"	8.39
4-60-MA0203-07	3/4"	8.97



### DRAIN / FILL VALVE

		<u>LIST \$</u>
4-60-WW640-2001	1.0", Black	16.93

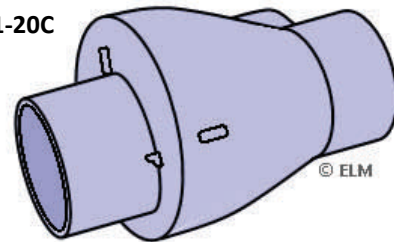


640-2001

### CHECK VALVES - WATER

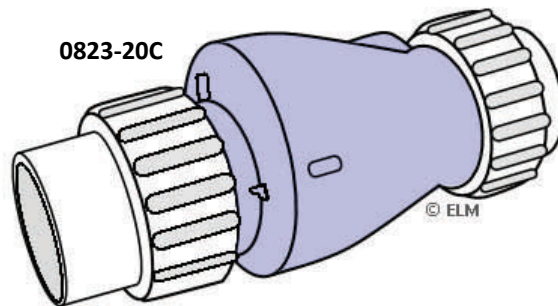
		<u>LIST \$</u>
4-60-WW550-6810	Flapper; 1.25-2 lbs; 2"s	15.75
4-60-WW550-6800	Flapper; 2.5-8 lbs; 2"s	15.75
4-60-WW600-4000	Flapper; Cleanout; 1.0"s	17.85
4-60-WW600-5000	Ball; tee; 1.0"s	9.78
4-60-WW600-8150	8lb spring; 1-1/2"s	26.13
4-60-MA0821-15C	Swing; 1/2lb; 1.5"s; Clear	27.91
4-60-MA0821-20C	Swing; 1/2lb; 2.0"s; Clear	35.49
4-60-MA0823-20C	Swing; 1/2lb; 2.0" Union; Clear	45.19

0821-20C

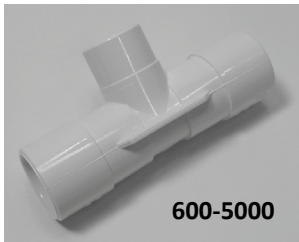


© ELM

0823-20C



© ELM



600-5000



600-8150



550-6800 / 6810



600-4000